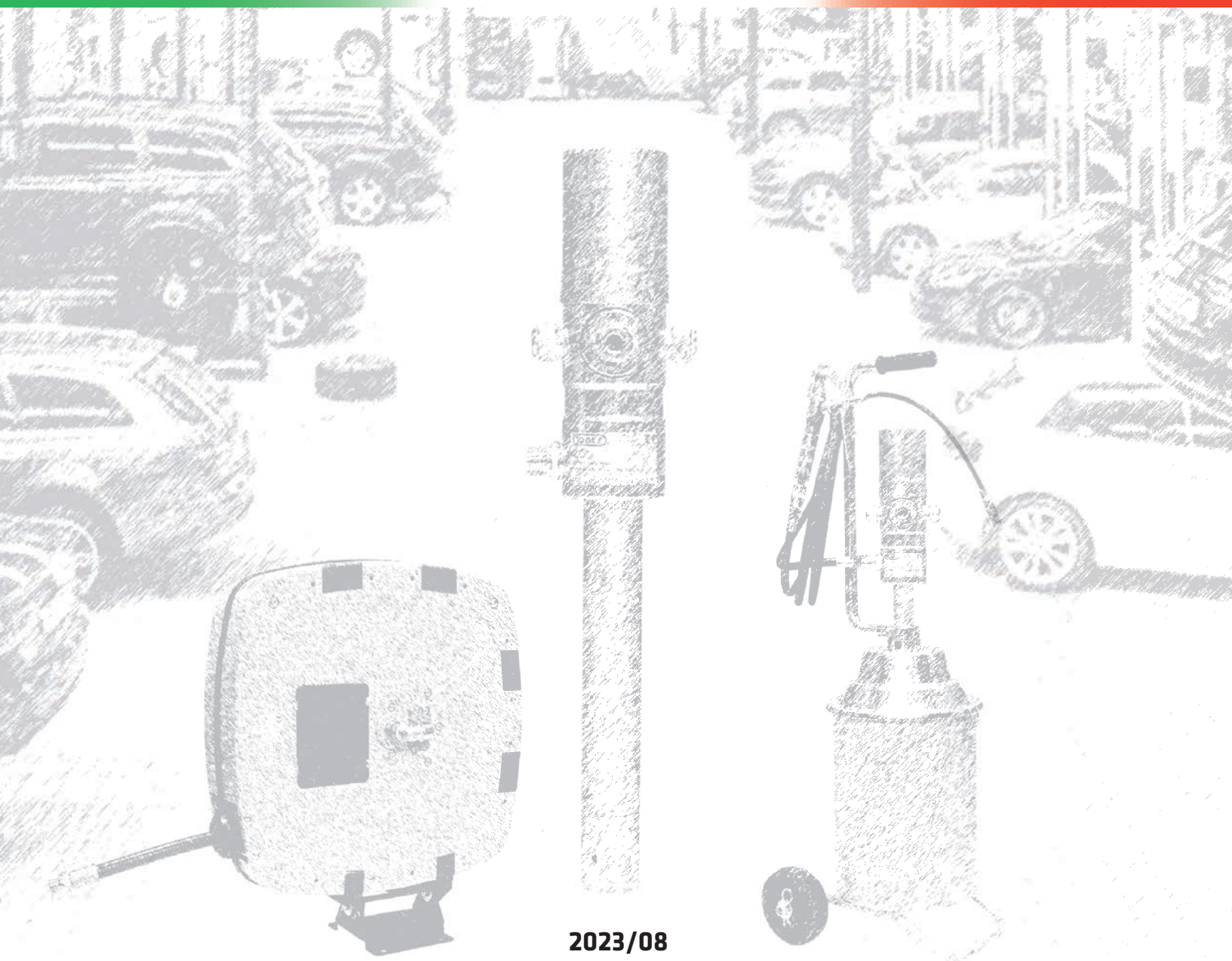




FLUID MANAGEMENT TECHNOLOGY

OIL GREASE SPECIAL

WORKSHOP EQUIPMENT 2023



2023/08



Made in Italy



La TO.ME.S. srl nasce a fine degli anni 70 e cresce rapidamente grazie alle tecnologie e alle capacità di adattamento del mercato. Nel corso degli anni diventa un'affermata costruttrice di sistemi professionali per il trasferimento, la misurazione di lubrificanti, carburanti e liquidi. Una vasta gamma di prodotti realizzati ricoprono i vari settori industriali. La nota affidabilità è la risultante del MADE in ITALY da sempre filosofia di questa azienda.



TO.ME.S. srl was founded at the end of the 1970s and grew rapidly thanks to the technologies and adaptability of the market. Over the years it has become an established manufacturer of professional systems for transferring and measuring lubricants, fuels and liquids. A wide range of manufactured products covers various industries. The well-known adaptability is the result of MADE in ITALY, which has always been the philosophy of this company.


Silenzi Maurizio

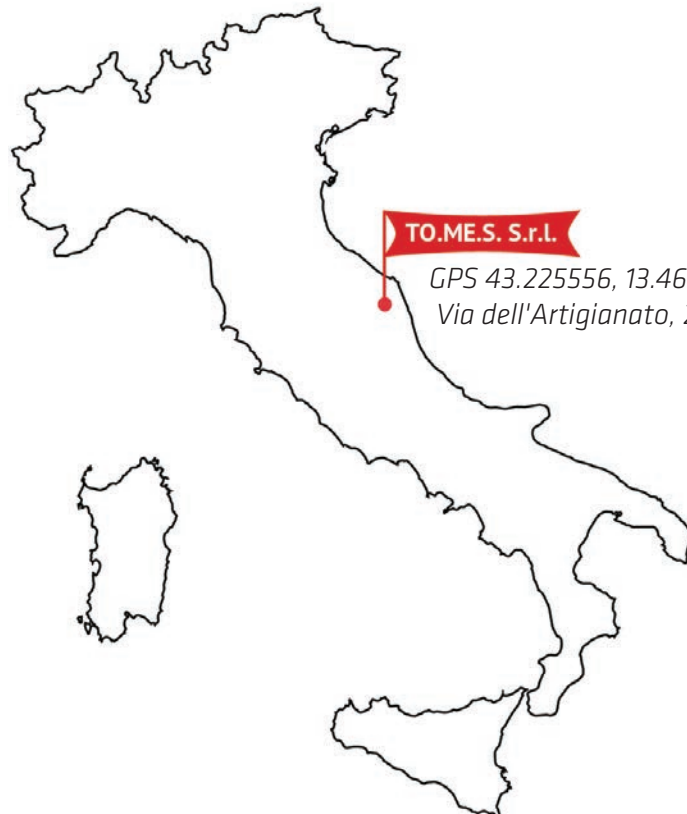
DIPARTIMENTO DEI VIGILI DEL FUOCO, DEL
SOCCORSO PUBBLICO E DELLA DIFESA CIVILE
DIREZIONE CENTRALE PER LA PREVENZIONE E LA
SICUREZZA TECNICA

SI RINNOVA: L'Approvazione di Tipo
DCPST/A7/10655/AT/09307 del 18 settembre 2012,
intestata alla ditta TO.ME.S. S.r.l., relativa ai distributori,
costituiti da gruppo erogatore con contatore e tubo con
pistola di erogazione, per carburanti liquidi di categoria
"C";

SI RINNOVA: L'Approvazione di Tipo
DCPST/A7/9587/AT/09307 del 20 luglio 2011, intestata
alla ditta TO.ME.S. S.r.l., relativa ai distributori, costituiti
da gruppo erogatore con contatore e tubo con pistola di
erogazione, per carburanti liquidi di categoria "C":



Certificate #: 6445-2007-AQ-ITA-SINCERT
Accreditation: ACCREDIA
Standard: ISO 9001:2015
Initial Certification: 08/02/2007



TO.ME.S. S.r.l.

GPS 43.225556, 13.464981

Via dell'Artigianato, 2 - 62014 Petriolo MC

SINCE 1977

OIL

SINCE 1977

Made in Italy

ISO 9001:2008



Pneumatic pump with reciprocating movement. A 1:1 ratio (e.g. 6 bar air inlet = 6 bar oil outlet) is recommended for oil transfer. The 3:1 ratio (e.g. 6 bar air inlet = 18 bar oil outlet) is recommended for thicker oils and for setting up dispensing lines with the application of hose reels.

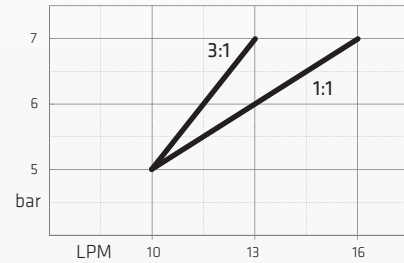


OPPN0698

OPPN0650

PERFORMANCE

flow rate 16 lt/min	working press 5-7 bar
air consumption 300 lt/min	acoustic press 75 dB

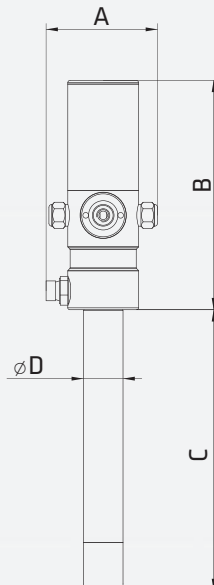


TECHNICAL SPECIFICATIONS

name	PE 50			PE 50 OEX		
	OPPN0650	OPPN0714	OPPN0715	OPPN0698	OPPN0716	OPPN0717
code	OPPN0650	OPPN0714	OPPN0715	OPPN0698	OPPN0716	OPPN0717
max flow rate	16 lpm	16 lpm	16 lpm	13 lpm	13 lpm	13 lpm
ratio	1:1	1:1	1:1	3:1	3:1	3:1
Ø suction tube	42 mm	42 mm	42 mm	42 mm	42 mm	42 mm
L suction tube	275 mm	750 mm	945 mm	275 mm	750 mm	945 mm
for drums	-	50 - 60 kg	200 kg	-	50 - 60 kg	200 kg
seals	nbr	nbr	nbr	pu	pu	pu
air connection	1/4" F BSP	1/4" F BSP	1/4" F BSP	1/4" F BSP	1/4" F BSP	1/4" F BSP
IN	1" F BSP	1" F BSP	1" F BSP	1" F BSP	1" F BSP	1" F BSP
OUT	1/2" M BSP	1/2" M BSP	1/2" M BSP	1/2" M BSP	1/2" M BSP	1/2" M BSP

Also available with IN-OUT NPT threads

WEIGHTS AND MEASURES



OPPN0650	OPPN0714	OPPN0715	OPPN0698	OPPN0716	OPPN0717
A 130 mm	A 130 mm	A 130 mm	A 130 mm	A 130 mm	A 130 mm
B 245 mm	B 245 mm	B 245 mm	B 245 mm	B 245 mm	B 245 mm
C 275 mm	C 750 mm	C 945 mm	C 275 mm	C 750 mm	C 945 mm
D 42 mm	D 42 mm	D 42 mm	D 42 mm	D 42 mm	D 42 mm

code	single package
OPPN0650	13 x 13 x 60 cm - 3,5 kg
OPPN0714	13 x 13 x 90 cm - 4,6 kg
OPPN0715	13 x 13 x 130 cm - 5,2 kg
OPPN0698	13 x 13 x 60 cm - 3,5 kg
OPPN0716	13 x 13 x 90 cm - 4,5 kg
OPPN0717	13 x 13 x 130 cm - 5,1 kg

OIL

SINCE 1977

Made in Italy

ISO 9001:2008

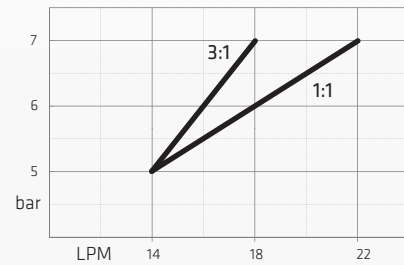


Pneumatic pump with reciprocating movement. A 1:1 ratio (e.g. 6 bar air inlet = 6 bar oil outlet) is recommended for oil transfer. The 3:1 ratio (e.g. 6 bar air inlet = 18 bar oil outlet) is recommended for thicker oils and for setting up dispensing lines with the application of hose reels. The OEX series is suitable for used oil.



PERFORMANCE

flow rate 22 lt/min	working press 5-7 bar
air consumption 300 lt/min	acoustic press 75 dB

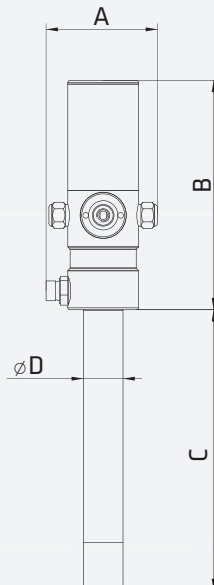


TECHNICAL SPECIFICATIONS

name	PE 63			PE 63 OEX		
	OPP0053	OPP0054	OPP0055	OPP0050	OPP0051	OPP0052
max flow rate	18 lpm	18 lpm	18 lpm	22 lpm	22 lpm	22 lpm
ratio	3:1	3:1	3:1	1:1	1:1	1:1
Ø suction tube	42 mm	42 mm	42 mm	42 mm	42 mm	42 mm
L suction tube	275 mm	750 mm	945 mm	275 mm	750 mm	945 mm
for drums	-	50 - 60 kg	200 kg	-	50 - 60 kg	200 kg
seals	nbr	nbr	nbr	pu	pu	pu
air connection	1/4" F BSP	1/4" F BSP	1/4" F BSP	1/4" F BSP	1/4" F BSP	1/4" F BSP
IN	1" F BSP	1" F BSP	1" F BSP	1" F BSP	1" F BSP	1" F BSP
OUT	1/2" M BSP	1/2" M BSP	1/2" M BSP	1/2" M BSP	1/2" M BSP	1/2" M BSP

Also available with IN-OUT NPT threads

WEIGHTS AND MEASURES



OPP0053	OPP0054	OPP0055	OPP0050	OPP0051	OPP0052
A 130 mm	A 130 mm	A 130 mm	A 130 mm	A 130 mm	A 130 mm
B 245 mm	B 245 mm	B 245 mm	B 245 mm	B 245 mm	B 245 mm
C 275 mm	C 750 mm	C 945 mm	C 420 mm	C 860 mm	C 1080 mm
D 42 mm	D 42 mm	D 42 mm	D 42 mm	D 42 mm	D 42 mm

code	single package
OPP0053	13 x 13 x 60 cm - 4,5 kg
OPP0054	13 x 13 x 90 cm - 5,3 kg
OPP0055	13 x 13 x 130 cm - 6,3 kg
OPP0050	13 x 13 x 76 cm - 4,6 kg
OPP0051	13 x 13 x 112 cm - 5,4 kg
OPP0052	13 x 13 x 137 cm - 6,4 kg

OIL

SINCE 1977

Made in Italy

ISO 9001:2008



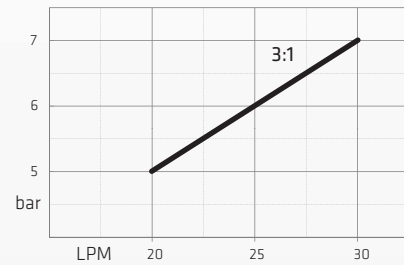
Pneumatic pump with reciprocating movement. The 3:1 ratio (e.g. 6 bar air inlet = 18 bar oil outlet) is recommended for thicker oils and for setting up dispensing lines with the application of hose reels.



OPP0652

PERFORMANCE

flow rate 30 lt/min	working press 5-7 bar
air consumption 300 lt/min	acoustic press 75 dB

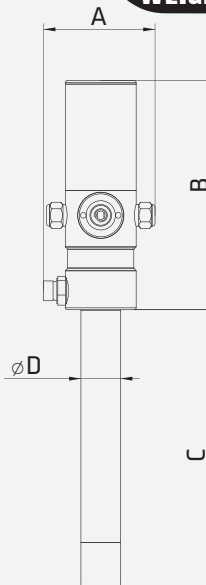


TECHNICAL SPECIFICATIONS

name	PE 63 D		
code	OPP0652	OPP0646	OPP0654
max flow rate	30 lpm	30 lpm	30 lpm
ratio	3:1	3:1	3:1
Ø suction tube	52 mm	42 mm	42 mm
L suction tube	275 mm	750 mm	945 mm
for drums	-	50 - 60 kg	200 kg
seals	pu	pu	pu
air connection	1/4" F BSP	1/4" F BSP	1/4" F BSP
IN	1" F BSP	1" F BSP	1" F BSP
OUT	1/2" M BSP	1/2" M BSP	1/2" M BSP

Also available with IN-OUT NPT threads

WEIGHTS AND MEASURES



	OPP0652	OPP0646	OPP0654
A	130 mm	A 130 mm	A 130 mm
B	245 mm	B 245 mm	B 245 mm
C	275 mm	C 750 mm	C 945 mm
D	52 mm	D 42 mm	D 42 mm

code	single package
OPP0652	13 x 13 x 60 cm - 4,5 kg
OPP0646	13 x 13 x 90 cm - 5,3 kg
OPP0654	13 x 13 x 130 cm - 6,3 kg

OIL

SINCE 1977

Made in Italy

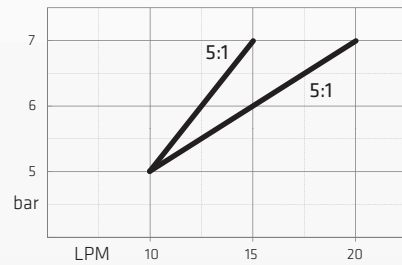
ISO 9001:2008



Pneumatic pump with reciprocating movement. The 5:1 ratio (e.g. 6 bar air inlet = 30 bar oil outlet) is recommended for thicker oils and for setting up dispensing lines with the application of hose reels. The OEX series is suitable for used oil.

PERFORMANCE

flow rate 20 lt/min	working press 5-7 bar
air consumption 300 lt/min	acoustic press 75 dB



TECHNICAL SPECIFICATIONS

name	PE 80			PE 80 OEX		
	code	code	code	code	code	code
code	OPPN0108	OPPN0109	OPPN0110	OPPN0786	OPPN0788	OPPN0787
max flow rate	15 lpm	15 lpm	15 lpm	20 lpm	20 lpm	20 lpm
ratio	5:1	5:1	5:1	5:1	5:1	5:1
Ø suction tube	42 mm	42 mm	42 mm	52 mm	42 mm	42 mm
L suction tube	275 mm	750 mm	945 mm	275 mm	750 mm	945 mm
for drums	-	50 - 60 kg	200 kg	-	50 - 60 kg	200 kg
seals	nbr	nbr	nbr	pu	pu	pu
air connection	1/4" F BSP	1/4" F BSP	1/4" F BSP	1/4" F BSP	1/4" F BSP	1/4" F BSP
IN	1" F BSP	1" F BSP	1" F BSP	1" F BSP	1" F BSP	1" F BSP
OUT	1/2" M BSP	1/2" M BSP	1/2" M BSP	1/2" M BSP	1/2" M BSP	1/2" M BSP

Also available with IN-OUT NPT threads

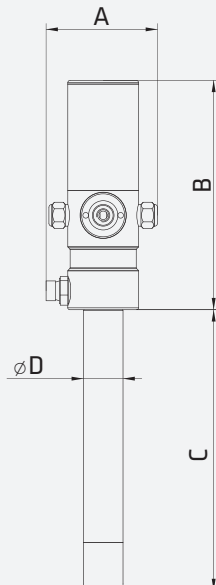


OPPN0108



OPPN0786

WEIGHTS AND MEASURES



OPPN0108	OPPN0109	OPPN0110	OPPN0786	OPPN0788	OPPN0787
A 135 mm	A 135 mm	A 135 mm	A 135 mm	A 135 mm	A 135 mm
B 255 mm	B 255 mm	B 255 mm	B 255 mm	B 255 mm	B 255 mm
C 275 mm	C 750 mm	C 945 mm	C 275 mm	C 750 mm	C 945 mm
D 42 mm	D 42 mm	D 42 mm	D 52 mm	D 42 mm	D 42 mm

code	single package
OPPN0108	13 x 13 x 60 cm - 4,9 kg
OPPN0109	13 x 13 x 90 cm - 6 kg
OPPN0110	13 x 13 x 140 cm - 6,8 kg
OPPN0786	13 x 13 x 60 cm - 5,1 kg
OPPN0788	13 x 13 x 90 cm - 6,2 kg
OPPN0787	13 x 13 x 140 cm - 7 kg

OIL

SINCE 1977

Made in Italy

ISO 9001:2008



Automatic oil hose reel. Weatherproof, solid, compact, with minimal pressure drop. Possibility of hose stopping unwinding at each turn.



OAVT0803

PERFORMANCE

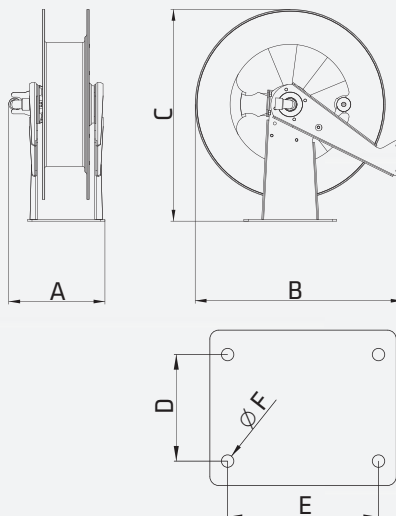
capacity 10 mt	hose R1AT 160bar
winding AUTOMATIC with spring	seal 80 bar

TECHNICAL SPECIFICATIONS

name	SMALL	
code	OAVT0800	OAVT0803
hose included	-	3/8" 10 mt
max capacity	3/8" 10 mt	3/8" 10 mt
seals	o-ring + pu	
passage	brass, galvanised steel	
IN	1/2" F BSP	1/2" F BSP
OUT	3/8" M BSP	3/8" M BSP

Also available with IN-OUT NPT threads

WEIGHTS AND MEASURES



OAVT0800	OAVT0803
A 218 mm	A 218 mm
B 468 mm	B 468 mm
C 479 mm	C 479 mm
D 120 mm	D 120 mm
E 170 mm	E 170 mm
F Ø 14 mm	F Ø 14 mm

code	single package
OAVT0800	46 x 46 x 27 cm - 12 kg
OAVT0803	46 x 46 x 27 cm - 15,2 kg

OIL

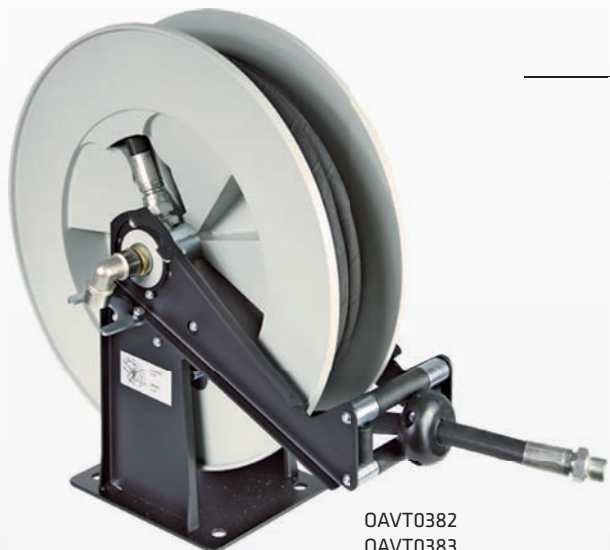
SINCE 1977

Made in Italy

ISO 9001:2008



Automatic oil hose reel. Weatherproof, solid, compact, with minimal pressure drop. Possibility of hose stopping unwinding at each turn.



OAVT0382
OAVT0383

PERFORMANCE

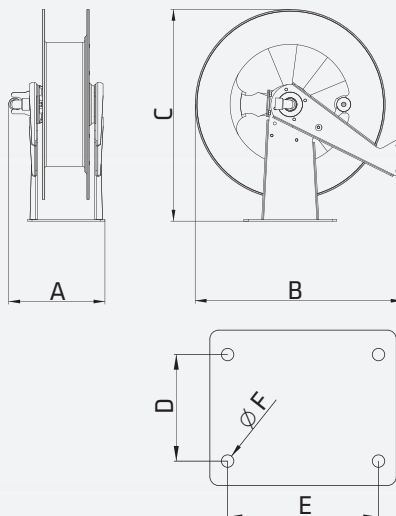
capacity 15 mt	hose R1AT 160bar
winding AUTOMATIC with spring	seal 80 bar

TECHNICAL SPECIFICATIONS

name	MEDIUM A		
code	OAVT0381	OAVT0382	OAVT0383
hose included	-	1/2" 10 mt	1/2" 15 mt
max capacity	1/2" 15 mt	1/2" 15 mt	1/2" 15 mt
seals	o-ring + pu		
passage	brass, galvanised steel		
IN	1/2" F BSP	1/2" F BSP	1/2" F BSP
OUT	1/2" M BSP	1/2" M BSP	1/2" M BSP

Also available with IN-OUT NPT threads

WEIGHTS AND MEASURES



OAVT0381	OAVT0382	OAVT0383
A 218 mm	A 218 mm	A 218 mm
B 468 mm	B 468 mm	B 468 mm
C 479 mm	C 479 mm	C 479 mm
D 120 mm	D 120 mm	D 120 mm
E 170 mm	E 170 mm	E 170 mm
F Ø 14 mm	F Ø 14 mm	F Ø 14 mm

code	single package
OAVT0381	46 x 55 x 24 cm - 19 kg
OAVT0382	46 x 55 x 24 cm - 23 kg
OAVT0383	46 x 55 x 24 cm - 24 kg

OIL

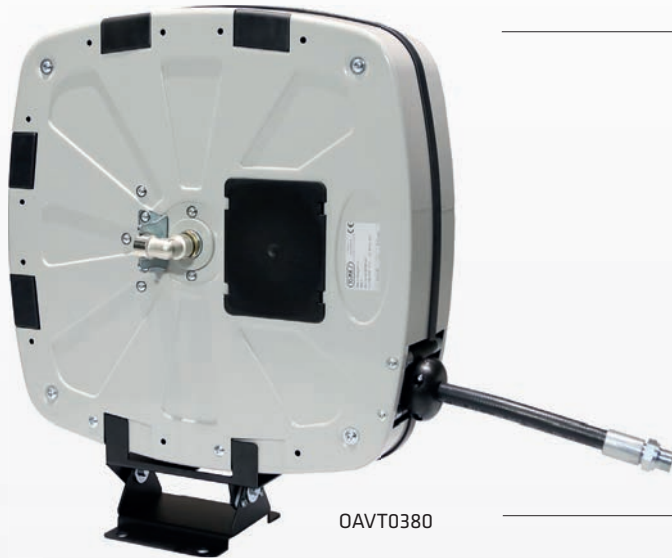
SINCE 1977

Made in Italy

ISO 9001:2008




Automatic oil hose reel. Weatherproof, solid, compact, with minimal pressure drop. Possibility of hose stopping unwinding at each turn.



OAVT0380

PERFORMANCE

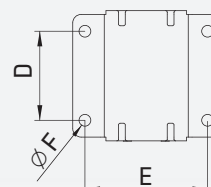
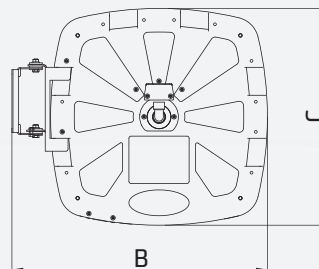
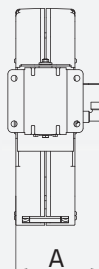
capacity 15 mt	hose R2AT 400bar	shell 
winding AUTOMATIC with spring	seal 200 bar	

TECHNICAL SPECIFICATIONS

name	MEDIUM C		
code	OAVT0378	OAVT0379	OAVT0380
hose included	-	1/2" 10 mt	1/2" 15 mt
max capacity	1/2" 15 mt	1/2" 15 mt	1/2" 15 mt
seals	o-ring + pu		
passage	brass, galvanised steel		
IN	1/2" F BSP	1/2" F BSP	1/2" F BSP
OUT	1/2" M BSP	1/2" M BSP	1/2" M BSP

Also available with IN-OUT NPT threads

WEIGHTS AND MEASURES



OAVT0378	OAVT0379	OAVT0380
A 200 mm	A 200 mm	A 200 mm
B 594 mm	B 594 mm	B 594mm
C 504 mm	C 504 mm	C 504 mm
D 106 mm	D 106 mm	D 106 mm
E 146 mm	E 146 mm	E 146 mm
F Ø 14 mm	F Ø 14 mm	F Ø 14 mm

code	single package
OAVT0378	54 x 61 x 24 cm - 20,5 kg
OAVT0379	54 x 61 x 24 cm - 24,5 kg
OAVT0380	54 x 61 x 24 cm - 25,5 kg

OIL

SINCE 1977

Made in Italy

ISO 9001:2008



Automatic oil hose reel. Weatherproof, solid, compact, with minimal pressure drop. Possibility of hose stopping unwinding at each turn.



OAVT0667

PERFORMANCE

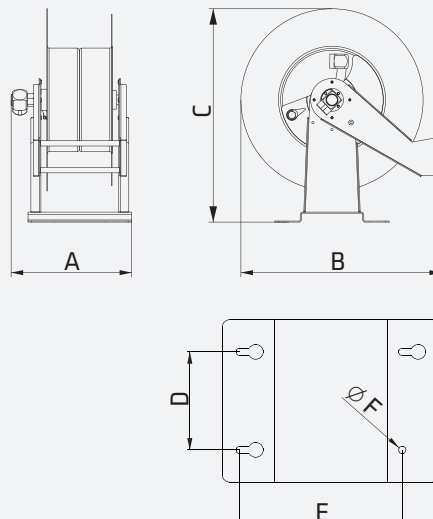
capacity 15 mt	hose R1AT 160bar
winding AUTOMATIC with spring	seal 80 bar

TECHNICAL SPECIFICATIONS

name	LARGE B		
code	OAVT0667	OAVT0669	OAVT0673
hose included	-	3/4" 15 mt	1/2" 20 mt
max capacity	3/4" 15 mt	3/4" 15 mt	1/2" 20 mt
seals	o-ring + pu		
passage	brass, galvanised steel		
IN	3/4" F BSP	3/4" F BSP	3/4" F BSP
OUT	3/4" M BSP	3/4" M BSP	3/4" M BSP

Also available with IN-OUT NPT threads

WEIGHTS AND MEASURES



	OAVT0667	OAVT0669	OAVT0673
A	337 mm	A 337 mm	A 337 mm
B	550 mm	B 550 mm	B 550 mm
C	582 mm	C 582 mm	C 582 mm
D	145 mm	D 145 mm	D 145 mm
E	240 mm	E 240 mm	E 240 mm
F	∅ 11 mm	F ∅ 11 mm	F ∅ 11 mm

code	single package
OAVT0667	61 x 35 x 65 cm - 25 kg
OAVT0669	61 x 35 x 65 cm - 31,8 kg
OAVT0673	61 x 35 x 65 cm - 33 kg

OIL

SINCE 1977

Made in Italy

ISO 9001:2008



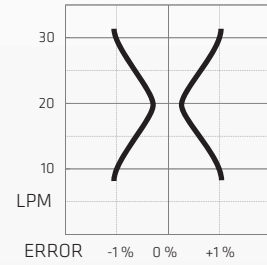
Flow meters for controlling private oil delivery and dispensing. Lightweight, compact, equipped with simple electronics with auto-calibration function. It is not suitable for gravity transfer.



OCTL0019

PERFORMANCE

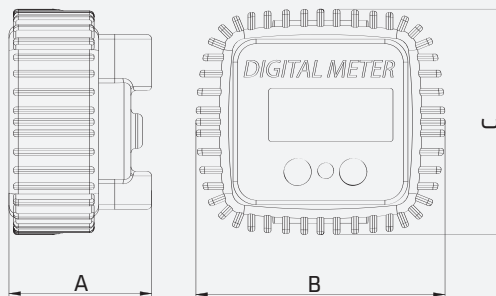
flow rate 30 lt/min	gears 	power supply 3,6V 1 batt AA
calibration AUTOMATIC	LCD display BATCH PARTIAL TOTAL	



TECHNICAL SPECIFICATIONS

name	DMA	
	OCTL0019	OCTL0021
code	OCTL0019	OCTL0021
capacity range	10 - 30 lpm	10 - 30 lpm
battery	3,6 V AA	3,6 V AA
precision	+/- 1 %	+/- 1 %
repeatability	0,5 %	0,5 %
max pressure	10 bar	10 bar
IN	1/2" F BSP	3/4" F BSP
OUT	1/2" F BSP	3/4" F BSP

WEIGHTS AND MEASURES



	OCTL0019	OCTL0021
A	62 mm	200 mm
B	108 mm	594 mm
C	98 mm	504 mm

code	single package
OCTL0019	12 x 11 x 8 cm - 0,6 kg
OCTL0021	12 x 11 x 8 cm - 1,3 kg

OIL

SINCE 1977

Made in Italy

ISO 9001:2008



Manual oil dispensing nozzle with gradual opening of the lever, complete with swivel and built-in impurity filter. Special nozzle for a well-directed outflow.



OPST0037

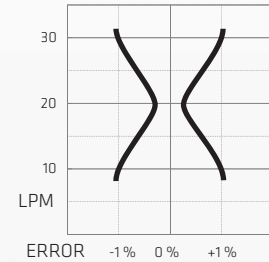
ALSO FOR
WASTE OIL



OPST0029

PERFORMANCE

flow rate 30 lt/min	gears 	power supply 3,6V 1 batt AA
calibration AUTOMATIC	LCD display BATCH PARTIAL TOTAL	inlet FILTER SWIVEL



TECHNICAL SPECIFICATIONS

The anti-drip spouts are only to be combined with pneumatic pumps

name	NOZZLE		SPOUT		
	code	code	code	code	code
code	OPST0029	OPST0037	OBEC0012	OBEC0102	OBEC0130
flow meter		X			
anti-drip			X	X	
IN	1/2" F BSP	1/2" F BSP	1/2" M BSP	1/2" M BSP	1/2" M BSP
OUT	1/2" F BSP	1/2" F BSP	Ø 13 mm	Ø 13 mm	Ø 14 mm



OBEC0012

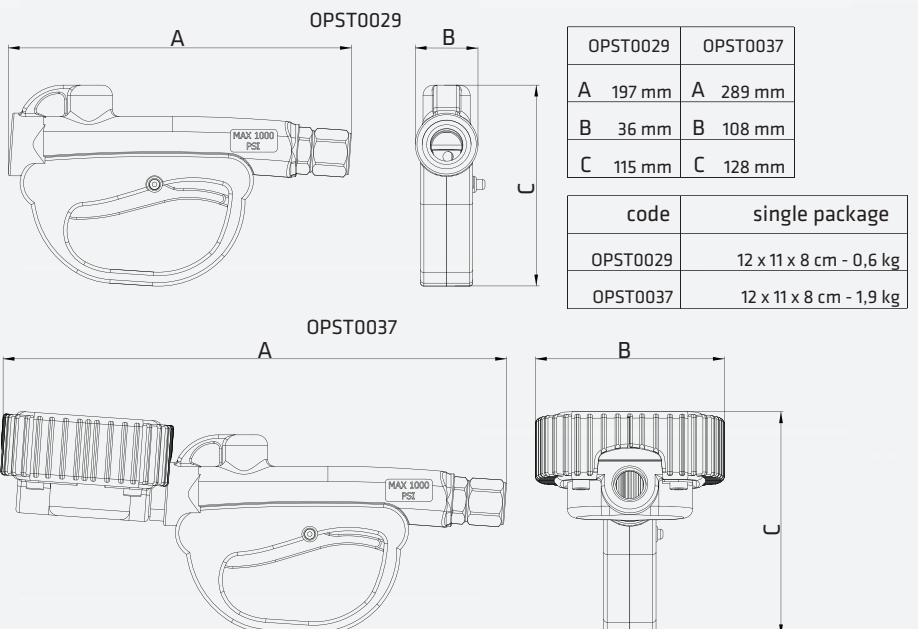


OBEC0102



OBEC0130

WEIGHTS AND MEASURES



OIL

SINCE 1977

Made in Italy

ISO 9001:2008



Manual high flow oil dispensing nozzle with gradual opening of the lever, complete with swivel and built-in impurity filter. Special nozzle for a well-directed outflow.

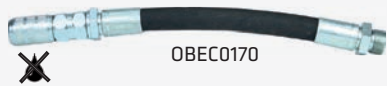


ALSO FOR WASTE OIL

OPST0129

OPST0123

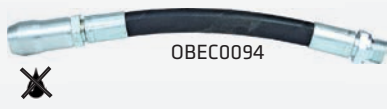
The anti-drip spouts are only to be combined with pneumatic pumps



OBEC0170



OBEC0093



OBEC0094



OBEC0706



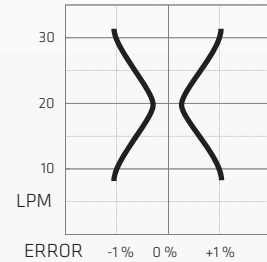
OBEC0035



OBEC0036

PERFORMANCE

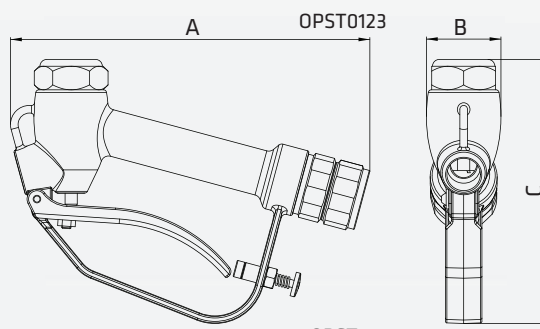
flow rate 50 lt/min	gears 	power supply 3,6V 1 batt AA
calibration AUTOMATIC	LCD display BATCH PARTIAL TOTAL	inlet FILTER SWIVEL



TECHNICAL SPECIFICATIONS

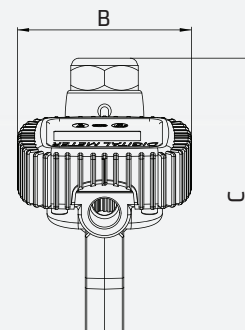
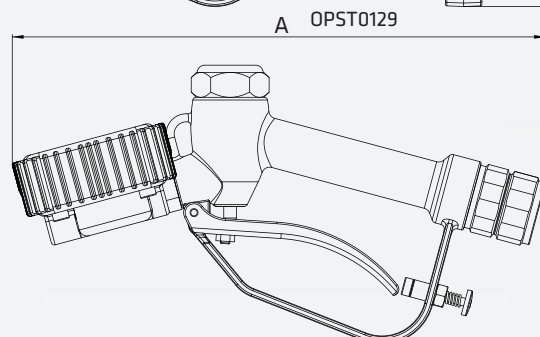
name	NOZZLE		SPOUT						
	code	OPST0123	OPST0129	OBEC0035	OBEC0036	OBEC0093	OBEC0094	OBEC0170	OBEC0706
flow meter			X						
anti-drip						manual	automatic	manual	automatic
IN	1" F BSP	1" F BSP	M 22x1,5	M 22x1,5	M 22x1,5	M 22x1,5	M 22x1,5	M 22x1,5	M 22x1,5
OUT	M 22x1,5	M 22x1,5	Ø 25 mm	Ø 25 mm	Ø 24 mm	Ø 30 mm	Ø 24 mm	Ø 24 mm	Ø 30 mm

WEIGHTS AND MEASURES



OPST0123	OPST0129
A 236 mm	A 332 mm
B 49 mm	B 108 mm
C 174 mm	C 174 mm

code	single package
OPST0123	24 x 20 x 5 cm - 1,4 kg
OPST0129	34 x 10 x 11 cm - 2 kg



OIL

SINCE 1977

Made in Italy

ISO 9001:2008



Manual pumps for oil transfer and dispensing. They are made of high-quality materials and use tried and tested systems that always guarantee operation and durability.

DPMA0550



DPMA0082



OPMA0088



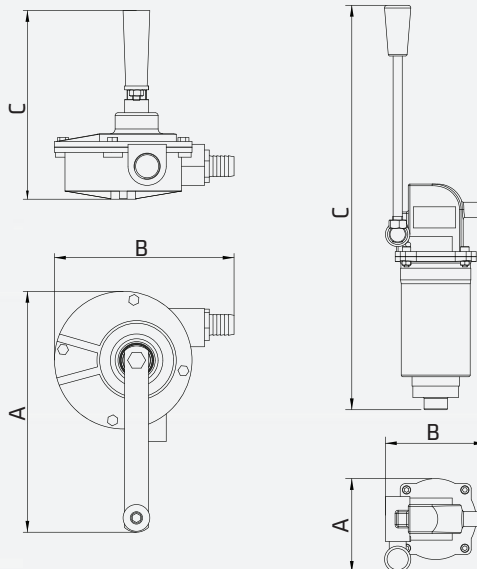
PERFORMANCE

flow rate	viscosity
300 gr/stroke	MEDIUM

TECHNICAL SPECIFICATIONS

name	MA		
code	DPMA0082	DPMA0550	OPMA0088
flow rate	300 gr/stroke	210 gr/stroke	140 gr/stroke
material	cast iron	aluminium	aluminium
suction tube	rigid	telescopic	telescopic
drum connection	2" M BSP	2" M BSP	2" M BSP
OUT	Ø 22 mm	Ø 18 mm	Ø 18 mm

WEIGHTS AND MEASURES



DPMA0082	DPMA0550	DPMA0088
A 252 mm	A 110 mm	A 84 mm
B 188 mm	B 118 mm	B 93 mm
C 198 mm	C 478 mm	C 361 mm

code	single package
DPMA0082	19 x 14 x 118 cm - 5,7 kg
DPMA0550	14 x 14 x 47 cm - 1,7 kg
OPMA0088	14 x 14 x 47 cm - 1,3 kg

OIL

SINCE 1977

Made in Italy

ISO 9001:2008



Reinforced synthetic rubber hose, suitable for use in reels.



OTUB0638
OTUB0639
OTUB0776
OTUB0641
OTUB0642



OTUB0016

HOSE STOP



RHSP0012
for hose Ø 1/4" - 3/8" - 1/2"



RHSP0013
for hose Ø 3/4"

for reel
SMALL
MEDIUM A



HSTF0441

for reel
LARGE



HSTF0443

TECHNICAL SPECIFICATIONS

name	HOSE FOR REEL					
	code	OTUB0016	OTUB0638	OTUB0639	OTUB0776	OTUB0641
dimensions	3/8"	1/2"	1/2"	1/2"	3/4"	3/4"
length	10 mt	10 mt	15 mt	20 mt	10 mt	15 mt
w.p.	160 bar	160 bar	160 bar	160 bar	105 bar	105 bar
IN	3/8" M BSP	1/2" M BSP	1/2" M BSP	1/2" M BSP	3/4" M BSP	3/4" M BSP
OUT	3/8" F BSP 90°	1/2" F BSP	1/2" F BSP	1/2" F BSP	3/4" F BSP	3/4" F BSP

OIL

SINCE 1977

Made in Italy

ISO 9001:2008



Manual pumps for oiling all types of components.



OOLT0539



OOLT0538



OPMA0540



Motor differential oil

OPMA0546



OPMA0542
OPMA0544
OPMA0545

TECHNICAL SPECIFICATIONS

name	OILERS		SYRINGES				
code	OOLT0538	OOLT0539	OPMA0540	OPMA0542	OPMA0544	OPMA0545	OPMA0546
material	metal nylon	metal metal	metal	metal	metal	metal	metal
measure	500 gr	500 gr	Ø 54 mm	Ø 40 mm 250 cm ³	Ø 57 mm 500 cm ³	Ø 57 mm 800 cm ³	Ø 57 mm 500 cm ³
spout	rigid	hose	rigid	rigid	rigid	rigid	rigid

GREASE

SINCE 1977 Made in Italy ISO 9001:2008



Pneumatic pump with reciprocating movement. The 40:1 ratio (e.g. 6 bar air inlet = 240 bar grease outlet) is recommended for transferring grease of medium hardness. The 60:1 ratio (e.g. 6 bar air inlet = 360 bar grease outlet) is recommended for harder grease and for setting up dispensing lines with the application of hose reels.

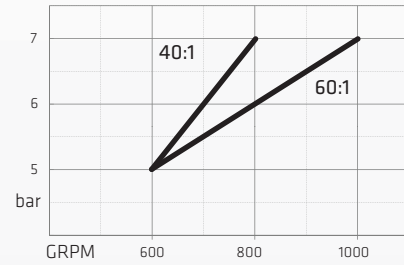


GPPN0720

GPPN0607

PERFORMANCE

flow rate 1050 gr/min	working press 5-7 bar
air consumption 300 lt/min	acoustic press 75 dB

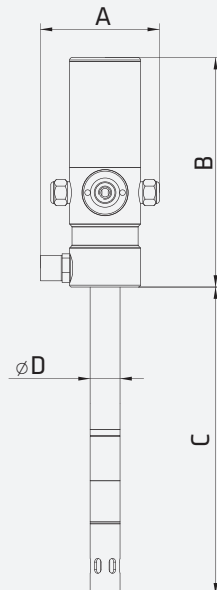


TECHNICAL SPECIFICATIONS

name	PE 50			PE 63		
	code	GPPN0720	GPPN0721	GPPN0722	GPPN0607	GPPN0608
max flow rate	800 grpm	800 grpm	800 grpm	1050 grpm	1050 grpm	1050 grpm
ratio	40:1	40:1	40:1	60:1	60:1	60:1
∅ suction tube	32 mm	32 mm	32 mm	32 mm	32 mm	32 mm
L suction tube	500 mm	750 mm	950 mm	500 mm	750 mm	950 mm
for drums	18 - 30 kg	50 - 60 kg	180 - 210 kg	18 - 30 kg	50 - 60 kg	180 - 210 kg
air connection	1/4" F BSP	1/4" F BSP	1/4" F BSP	1/4" F BSP	1/4" F BSP	1/4" F BSP
OUT	3/8" F BSP	3/8" F BSP	3/8" F BSP	3/8" F BSP	3/8" F BSP	3/8" F BSP

Also available with OUT NPT threads

WEIGHTS AND MEASURES



GPPN0720	GPPN0721	GPPN0722	GPPN0607	GPPN0608	GPPN0609
A 130 mm	A 130 mm	A 130 mm	A 130 mm	A 130 mm	A 130 mm
B 245 mm	B 245 mm	B 245 mm	B 245 mm	B 245 mm	B 245 mm
C 500 mm	C 750 mm	C 950 mm	C 500 mm	C 750 mm	C 950 mm
D 32 mm	D 32 mm	D 32 mm	D 32 mm	D 32 mm	D 32 mm

code	single package
GPPN0720	13 x 13 x 78 cm - 5,1 kg
GPPN0721	13 x 13 x 110 cm - 6 kg
GPPN0722	13 x 13 x 130 cm - 6,7 kg
GPPN0607	13 x 13 x 78 cm - 5,1 kg
GPPN0608	13 x 13 x 110 cm - 6 kg
GPPN0609	13 x 13 x 130 cm - 6,7 kg

GREASE



Pneumatic pump with reciprocating movement. The 35:1 ratio (e.g. 6 bar air inlet = 210 bar grease outlet) is recommended for transferring grease of medium hardness. The 80:1 ratio (e.g. 6 bar air inlet = 480 bar grease outlet) is recommended for harder grease and for setting up dispensing lines with the application of hose reels.

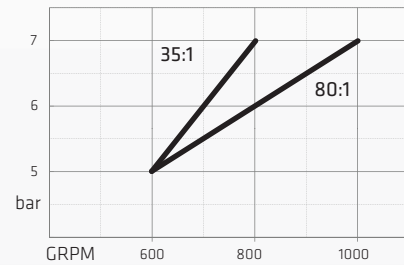


GPPN0779

GPPN0028

PERFORMANCE

flow rate 4000 gr/min	working press 5-7 bar
air consumption 300 lt/min	acoustic press 75 dB

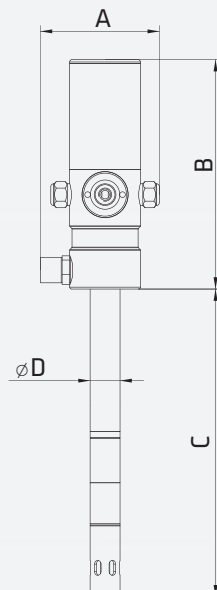


TECHNICAL SPECIFICATIONS

name	PE 100					
code	GPPN0777	GPPN0778	GPPN0779	GPPN0026	GPPN0027	GPPN0028
max flow rate	4000 grpm	4000 grpm	4000 grpm	3600 grpm	3600 grpm	3600 grpm
ratio	35:1	35:1	35:1	80:1	80:1	80:1
∅ suction tube	42 mm	42 mm	42 mm	36 mm	36 mm	36 mm
L suction tube	500 mm	750 mm	950 mm	500 mm	750 mm	950 mm
for drums	18 - 30 kg	50 - 60 kg	180 - 210 kg	18 - 30 kg	50 - 60 kg	180 - 210 kg
air connection	3/8" F BSP	3/8" F BSP	3/8" F BSP	3/8" F BSP	3/8" F BSP	3/8" F BSP
OUT	3/4" F BSP	3/4" F BSP	3/4" F BSP	3/4" F BSP	3/4" F BSP	3/4" F BSP

Also available with OUT NPT threads

WEIGHTS AND MEASURES



GPPN0777	GPPN0778	GPPN0779	GPPN0026	GPPN0027	GPPN0028
A 135 mm	A 135 mm	A 135 mm	A 135 mm	A 135 mm	A 135 mm
B 330 mm	B 330 mm	B 330 mm	B 330 mm	B 330 mm	B 330 mm
C 500 mm	C 750 mm	C 950 mm	C 500 mm	C 750 mm	C 950 mm
D 42 mm	D 42 mm	D 42 mm	D 36 mm	D 36 mm	D 36 mm

code	single package
GPPN0777	13 x 13 x 78 cm - 9 kg
GPPN0778	13 x 13 x 110 cm - 10 kg
GPPN0779	13 x 13 x 130 cm - 11,3 kg
GPPN0026	13 x 13 x 78 cm - 8 kg
GPPN0027	13 x 13 x 110 cm - 9 kg
GPPN0028	13 x 13 x 130 cm - 10,1 kg

GREASE



Pneumatic pump with reciprocating movement. The 10:1 ratio (e.g. 6 bar air inlet = 60 bar grease outlet), the 13:1 ratio (e.g. 6 bar air inlet = 78 bar grease outlet). They are recommended for transferring large quantities of grease with medium hardness.



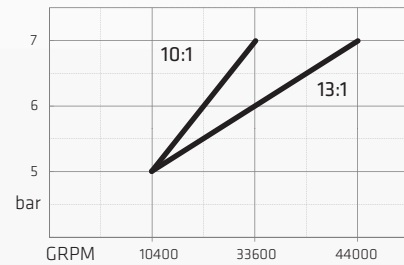
GPPN0780

GPPN0781

PERFORMANCE

flow rate
44000
gr/min

working press
5-7
bar

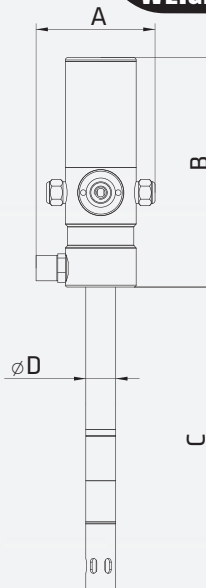


TECHNICAL SPECIFICATIONS

name	PE 125	PE 160
code	GPPN0780	GPPN0781
max flow rate	33600 grpm	44000 grpm
ratio	10:1	13:1
Ø suction tube	90 mm	110 mm
L suction tube	330 mm	338 mm
air connection	3/8" F BSP	3/8" F BSP
OUT	1" F BSP	1 1/2" F BSP

Also available with OUT NPT threads

WEIGHTS AND MEASURES



	GPPN0780	GPPN0781
A	180 mm	A 180 mm
B	357 mm	B 357 mm
C	330 mm	C 338 mm
D	90 mm	D 110 mm

GREASE

SINCE 1977

Made in Italy

ISO 9001:2008



Automatic grease hose reel. Weatherproof, solid, compact, with minimal pressure drop. Possibility of hose stopping unwinding at each turn.



GAVT0483

PERFORMANCE

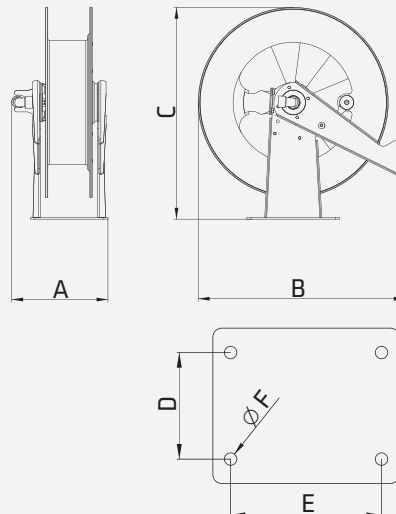
capacity 10 mt	hose R2AT 400bar
winding AUTOMATIC with spring	seal 200 bar

TECHNICAL SPECIFICATIONS

name	SMALL	
code	GAVT0483	GAVT0484
hose included	-	1/4" 10 mt
max capacity	1/4" 10 mt	1/4" 10 mt
seals	o-ring + pu	
passage	brass, galvanised steel	
IN	1/4" F BSP	1/4" F BSP
OUT	1/4" M BSP	1/4" M BSP

Also available with IN-OUT NPT threads

WEIGHTS AND MEASURES



GAVT0483	GAVT0484
A 218 mm	A 218 mm
B 468 mm	B 468 mm
C 479 mm	C 479 mm
D 120 mm	D 120 mm
E 170 mm	E 170 mm
F Ø 14 mm	F Ø 14 mm

code	single package
GAVT0483	46 x 46 x 27 cm - 12 kg
GAVT0484	46 x 46 x 27 cm - 15,5 kg

GREASE

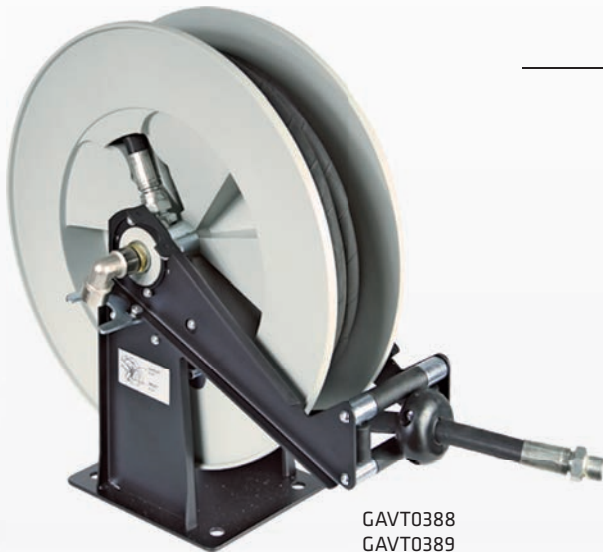
SINCE 1977

Made in Italy

ISO 9001:2008



Automatic grease hose reel. Weatherproof, solid, compact, with minimal pressure drop. Possibility of hose stopping unwinding at each turn.



GAVT0388
GAVT0389

PERFORMANCE

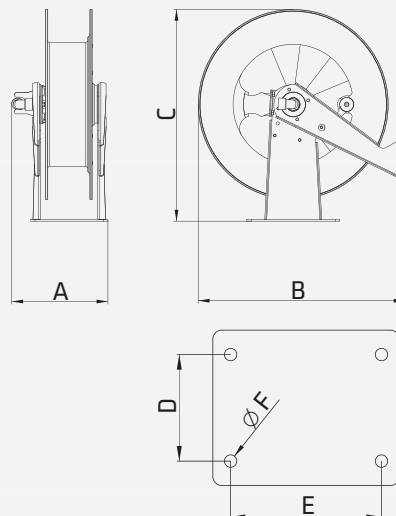
capacity 15 mt	hose R2AT 400bar
winding AUTOMATIC with spring	seal 200 bar

TECHNICAL SPECIFICATIONS

name	MEDIUM A		
code	GAVT0387	GAVT0388	GAVT0389
hose included	-	1/4" 10 mt	1/4" 15 mt
max capacity	1/4" 15 mt	1/4" 15 mt	1/4" 15 mt
seals	o-ring + pu		
passage	brass, galvanised steel		
IN	1/4" F BSP	1/4" F BSP	1/4" F BSP
OUT	1/4" M BSP	1/4" M BSP	1/4" M BSP

Also available with IN-OUT NPT threads

WEIGHTS AND MEASURES



GAVT0387	GAVT0388	GAVT0389
A 218 mm	A 218 mm	A 218 mm
B 468 mm	B 468 mm	B 468 mm
C 479 mm	C 479 mm	C 479 mm
D 120 mm	D 120 mm	D 120 mm
E 170 mm	E 170 mm	E 170 mm
F Ø 14 mm	F Ø 14 mm	F Ø 14 mm

code	single package
GAVT0387	46 x 55 x 24 cm - 19 kg
GAVT0388	46 x 55 x 24 cm - 23 kg
GAVT0389	46 x 55 x 24 cm - 24 kg

GREASE

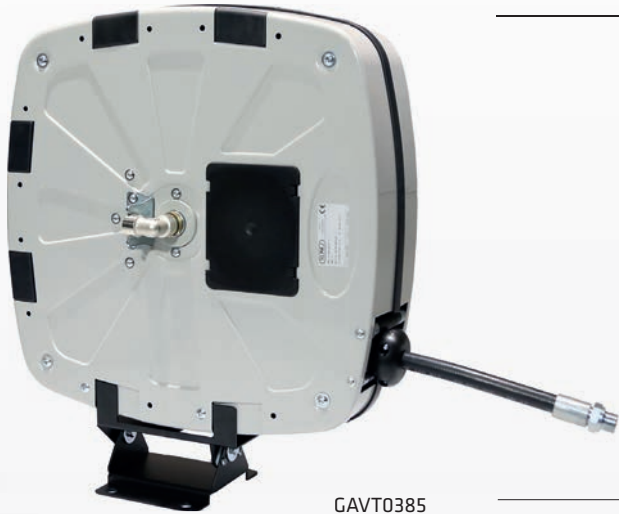
SINCE 1977

Made in Italy

ISO 9001:2008




Automatic grease hose reel. Weatherproof, solid, compact, with minimal pressure drop. Possibility of hose stopping unwinding at each turn.



GAVT0385

PERFORMANCE

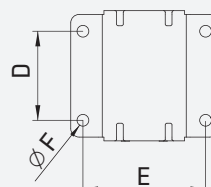
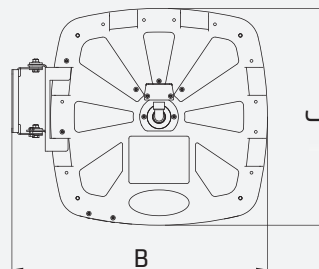
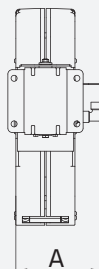
capacity 15 mt	hose R2AT 400bar	shell 
winding AUTOMATIC with spring	seal 200 bar	

TECHNICAL SPECIFICATIONS

name	MEDIUM C		
code	GAVT0384	GAVT0385	GAVT0386
hose included	-	1/4" 10 mt	1/4" 15 mt
max capacity	1/4" 15 mt	1/4" 15 mt	1/4" 15 mt
seals	o-ring + pu		
passage	brass, galvanised steel		
IN	1/4" F BSP	1/4" F BSP	1/4" F BSP
OUT	1/4" M BSP	1/4" M BSP	1/4" M BSP

Also available with IN-OUT NPT threads

WEIGHTS AND MEASURES



GAVT0384	GAVT0385	GAVT0386
A 200 mm	A 200 mm	A 200 mm
B 594 mm	B 594 mm	B 594 mm
C 504 mm	C 504 mm	C 504 mm
D 106 mm	D 106 mm	D 106 mm
E 146 mm	E 146 mm	E 146 mm
F Ø 14 mm	F Ø 14 mm	F Ø 14 mm

code	single package
GAVT0384	54 x 61 x 24 cm - 20,5 kg
GAVT0385	54 x 61 x 24 cm - 24,5 kg
GAVT0386	54 x 61 x 24 cm - 25,5 kg

GREASE

SINCE 1977 Made in Italy ISO 9001:2008



Pneumatic kit for dispensing grease. Complete with dispensing tube, gun with swivel and head, cover and membrane.



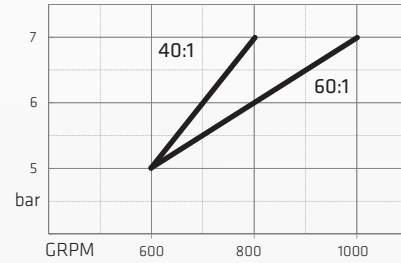
GIGS0723



GIGS0733

PERFORMANCE

flow rate 1050 gr/min	working press 5-7 bar
air consumption 300 lt/min	acoustic press 75 dB

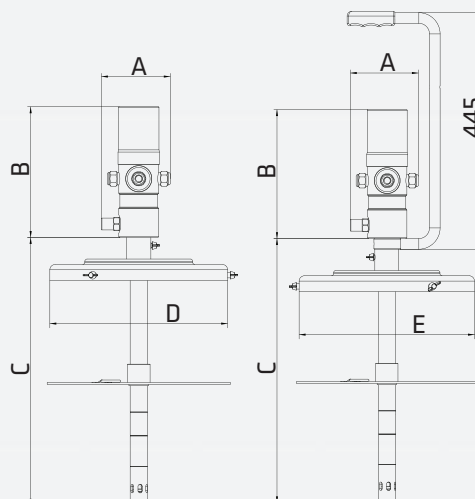


TECHNICAL SPECIFICATIONS

name	PE 50			PE 63		
	GIGS0727	GIGS0731	GIGS0739	GIGS0723	GIGS0612	GIGS0733
max flow rate	800 grpm	800 grpm	800 grpm	1050 grpm	1050 grpm	1050 grpm
ratio	40:1	40:1	40:1	60:1	60:1	60:1
for drums	18 - 30 kg	180 - 210 kg	18 - 30 kg	18 - 30 kg	180 - 210 kg	18 - 30 kg
air connection	1/4" F BSP	1/4" F BSP	1/4" F BSP	1/4" F BSP	1/4" F BSP	1/4" F BSP
dispen. hose	3 mt	3 mt	3 mt	3 mt	3 mt	3 mt
hose	300 mm	300 mm	300 mm	300 mm	300 mm	300 mm
head	4 jaws	4 jaws	4 jaws	4 jaws	4 jaws	4 jaws
handle	no	no	yes	no	no	yes

WEIGHTS AND MEASURES

GIGS0727	GIGS0731	GIGS0739	GIGS0723	GIGS0612	GIGS0733
A 130 mm	A 130 mm	A 130 mm	A 130 mm	A 130 mm	A 130 mm
B 245 mm	B 245 mm	B 245 mm	B 245 mm	B 245 mm	B 245 mm
C 500 mm	C 750 mm	C 500 mm	C 500 mm	C 750 mm	C 500 mm
D 310 mm	D 610 mm	E 310 mm	D 310 mm	D 610 mm	E 310 mm



code	single package
GIGS0727	13 x 13 x 78 cm - 5,1 kg
GIGS0731	13 x 13 x 110 cm - 6 kg
GIGS0739	13 x 13 x 130 cm - 7 kg
GIGS0723	13 x 13 x 78 cm - 5,1 kg
GIGS0612	13 x 13 x 110 cm - 6 kg
GIGS0733	13 x 13 x 130 cm - 7 kg

GREASE

SINCE 1977 Made in Italy ISO 9001:2008



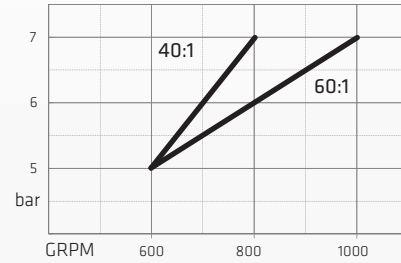
Pneumatic kit for dispensing grease. Complete with dispensing tube, gun with swivel and head, cover and membrane.



GIGS0736

PERFORMANCE

flow rate 1050 gr/min	working press 5-7 bar
air consumption 300 lt/min	acoustic press 75 dB



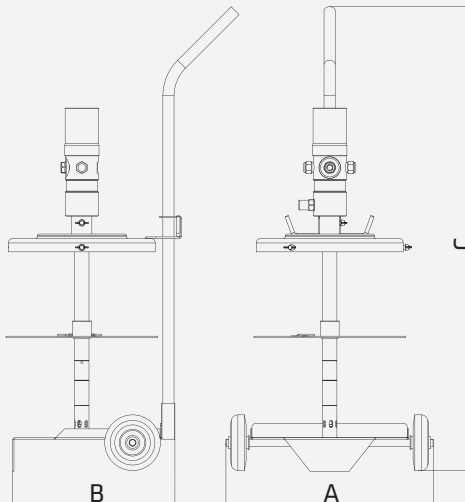
TECHNICAL SPECIFICATIONS

	PE 50	PE 63
name	PE 50	PE 63
code	GIGS0742	GIGS0736
max flow rate	800 grpm	1050 grpm
ratio	40:1	60:1
for drums	20 - 60 kg	20 - 60 kg
air connection	1/4" F BSP	1/4" F BSP
dispen. hose	3 mt	3 mt
hose	300 mm	300 mm
head	4 jaws	4 jaws
carriage	float	float

WEIGHTS AND MEASURES

GIGS0742	GIGS0736
A 465 mm	A 465 mm
B 365 mm	B 365 mm
C 1040 mm	C 1040 mm

code	single package
GIGS0742	34 x 38 x 82 cm -17 kg
GIGS0736	34 x 38 x 82 cm - 17 kg



GREASE



Reinforced synthetic rubber hose, suitable for use in reels.

HOSE FOR REEL



GTUB0643
GTUB0644

HOSE FOR REEL



GTUB0017

HOSE STOP



RHSP0012
for pipe Ø 1/4" - 3/8" - 1/2"

for reel
SMALL
MEDIUM A



HSTF0441

HOSE



GTUB0744

TECHNICAL SPECIFICATIONS

name	HOSE					HOSE FOR REEL		
code	GTUB0744	GTUB0745	GTUB0746	GTUB0747	GTUB0748	GTUB0017	GTUB0643	GTUB0644
dimensions	1/4"	1/4"	1/4"	1/4"	1/4"	1/4"	1/4"	1/4"
length	2 mt	3 mt	4 mt	5 mt	6 mt	10 mt	10 mt	15 mt
w.p.	400 bar	400 bar	400 bar	400 bar	400 bar	400 bar	400 bar	400 bar
IN	1/4" M BSP	1/4" M BSP	1/4" M BSP	1/4" M BSP	1/4" M BSP	1/4" M BSP	1/4" M BSP	1/4" M BSP
OUT	3/8" M BSP	3/8" M BSP	3/8" M BSP	3/8" M BSP	3/8" M BSP	1/4" F BSP 90°	1/4" F BSP	1/4" F BSP

GREASE

SINCE 1977

Made in Italy

ISO 9001:2008



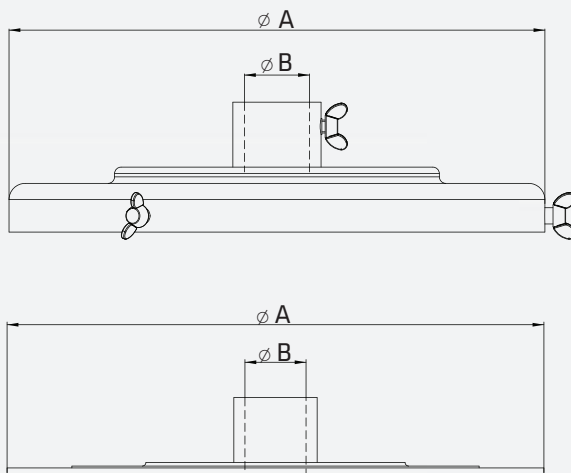
The cover protects the grease from contamination and holds the pump in position via the sleeve. The membrane is always recommended to keep the grease compact and to scrape it from the drum to avoid waste.



DIMENSIONS

name	COVER										
code	GCPR0014	GCPR0015	GCPR0802	GCPR0061	GCPR0039	GCPR0491	GCPR0490	GCPR0351	GCPR0465	GCPR0467	GCPR0469
∅ drums mm	260 - 310	300 - 350	350 - 400	550 - 610	260 - 310	300 - 350	350 - 400	550 - 610	300 - 350	350 - 400	550 - 610
A mm	310	350	405	610	310	350	405	610	350	405	610
B mm	32	32	32	32	36	36	36	36	42	42	42

name	PLATE										
code	GMBR0051	GMBR0052	GMBR0803	GMBR0055	GMBR0030	GMBR0486	GMBR0485	GMBR0350	GMBR0466	GMBR0468	GMBR0470
∅ drums mm	260 - 310	300 - 350	350 - 400	550 - 610	260 - 310	300 - 350	350 - 400	550 - 610	300 - 350	350 - 400	550 - 610
A mm	310	340	385	585	310	340	385	585	340	385	585
B mm	32	32	32	32	36	36	36	36	42	42	42



codice	single package
GCPR0014 GMBR0051	33 x 33 x 8 cm - 2,5 kg
GCPR0015 GMBR0052	37 x 37 x 8 cm - 6,4 kg
GCPR0802 GMBR0803	63 x 63 x 8 cm - 3,8 kg
GCPR0061 GMBR0055	63 x 63 x 8 cm - 8 kg
GCPR0039 GMBR0030	33 x 33 x 8 cm - 2,5 kg
GCPR0491 GMBR0486	37 x 37 x 8 cm - 2,9 kg
GCPR0490 GMBR0485	63 x 63 x 8 cm - 3,8 kg
GCPR0351 GMBR0350	63 x 63 x 8 cm - 8 kg
GCPR0465 GMBR0466	37 x 37 x 8 cm - 2,9 kg
GCPR0467 GMBR0468	63 x 63 x 8 cm - 3,8 kg
GCPR0469 GMBR0470	63 x 63 x 8 cm - 8 kg

GREASE

SINCE 1977

Made in Italy

ISO 9001:2008



Manual pumps for greasing all types of components.



GPMA0776



GPMA0591



GCRT0596



GTUB0599

TECHNICAL SPECIFICATIONS

name	MANUAL PUMP WITH HOSE					MANUAL PUMP				
	code	GPMA0776	GPMA0777	GPMA0778	GPMA0010	GPMA0496	GPMA0591	GPMA0592	GPMA0595	GPMA0594
cartridge	-	Ø 52 400 gr	Ø 54 600 gr	Ø 56 600 gr	Ø 52 600 gr	-	Ø 52 400 gr	Ø 54 600 gr	Ø 56 600 gr	Ø 52 600 gr
capacity	300 gr	500 gr	1000 gr	1000 gr	750 gr	300 gr	500 gr	1000 gr	1000 gr	750 gr
OUT	4 jaws	4 jaws	4 jaws	4 jaws	4 jaws	M 10x1 F	M 10x1 F	M 10x1 F	M 10x1 F	M 10x1 F

name	HOSE						
	code	GTUB0599	GTUB0600	GTUB0601	GTUB0602	GTUB0603	GTUB0604
diameter	14x2 mm	14x2 mm	14x2 mm	14x2 mm	14x2 mm	14x2 mm	14x2 mm
length	200 mm	300 mm	400 mm	500 mm	600 mm	700 mm	1000 mm
IN	M 10x1 M	M 10x1 M	M 10x1 M	M 10x1 M	M 10x1 M	M 10x1 M	M 10x1 M

name	CARTRIDGE		
	code	GCRT0596	GCRT0597
diameter	52 mm	52 mm	56 mm
capacity	400 gr	600 gr	600 gr

GREASE

SINCE 1977 Made in Italy ISO 9001:2008



Nipple for greasing any type of component.



4 JAWS



3 JAWS



EXCELLENT



90°

name	4 JAWS	3 JAWS	EXCELLENT	90°
code	HTSN0039	HTSN0551	HTSN0552	HTSN0553
IN	10x1	10x1	10x1	10x1
min. quantity	10	10	10	10



45° NIPPLE

name	45° NIPPLE						
code	GIGS0556	GIGS0557	GIGS0558	GIGS0559	GIGS0560	GIGS0561	GIGS0562
hexagon	11	11	11	11	11	11	14
IN	6x1	8x1	8x1,25	10x1	10x1,5	1/8"	1/4"
min. quantity	10	10	10	10	10	10	10



90° NIPPLE

name	90° NIPPLE						
code	GIGS0563	GIGS0564	GIGS0565	GIGS0566	GIGS0567	GIGS0568	GIGS0569
hexagon	11	11	11	11	11	11	14
IN	6x1	8x1	8x1,25	10x1	10x1,5	1/8"	1/4"
min. quantity	10	10	10	10	10	10	10



STRAIGHT NIPPLE

name	STRAIGHT NIPPLE									
code	GIGS0570	GIGS0571	GIGS0572	GIGS0573	GIGS0574	GIGS0575	GIGS0576	GIGS0577	GIGS0578	GIGS0579
hexagon	7	9	9	11	11	11	11	11	11	14
IN	6x1	8x1	8x1,25	6x1	8x1	8x1,25	10x1	10x1,5	1/8"	1/4"
min. quantity	10	10	10	10	10	10	10	10	10	10



HOOK



FIAT



CONVEX

name	HOOK	FIAT	CONVEX
code	HTSN0555	HTSN0554	HTSN0298
hexagon		22	
IN	10x1	10x1	10x1
min. quantity	10	10	10



SIMPLE



DOUBLE

name	SIMPLE NIPPLE					DOUBLE NIPPLE				
code	GIGS0580	GIGS0581	GIGS0582	GIGS0583	GIGS0584	GIGS0585	GIGS0586	GIGS0587	GIGS0588	GIGS0589
hexagon	15	15	15	15	15	15	15	15	15	15
IN	8x1	10x1	10x1,5	1/8"	1/4"	8x1	10x1	10x1,5	1/8"	1/4"
min. quantity	10	10	10	10	10	10	10	10	10	10

GREASE

SINCE 1977 Made in Italy ISO 9001:2008



Manual grease nozzle with gradual opening of the lever.

PERFORMANCE

maximum press 1000 bar	ball VALVE CLOSURE	gradual LEVER OPENING
-------------------------------------	---------------------------------	------------------------------------

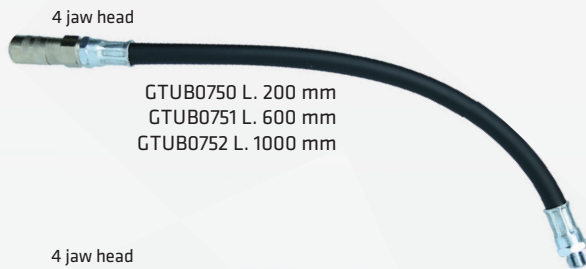


GPST0521

GPST0520

TECHNICAL SPECIFICATIONS

name	NOZZLE		
code	GPST0520	GPST0521	GPST0522
swivel		X	
swivel Z			X
IN	1/4" F BSP	1/4" F BSP	1/4" F BSP
OUT	M10x1	M10x1	M10x1



4 jaw head

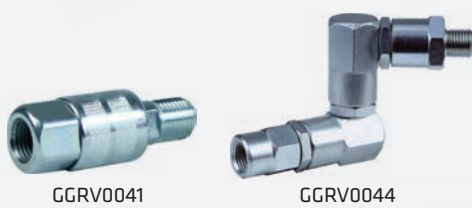
GTUB0750 L. 200 mm
GTUB0751 L. 600 mm
GTUB0752 L. 1000 mm



4 jaw head

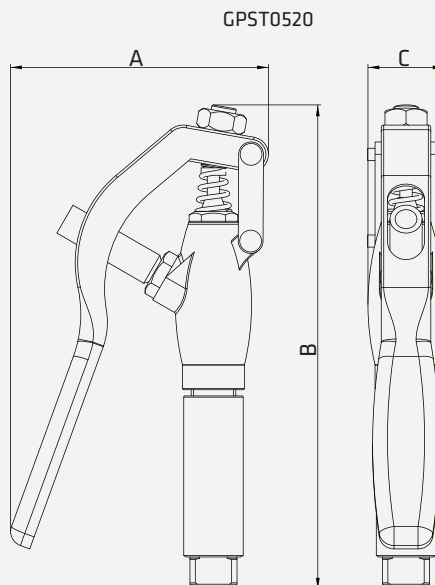
GTUB0174

WEIGHTS AND MEASURES



GGRV0041

GGRV0044



GPST0520

GPST0520
A 104 mm
B 195 mm
C 31 mm

code	25 pcs pack
GPST0520	40 x 30 x 20 cm - 20 kg

GREASE

SINCE 1977

Made in Italy

ISO 9001:2008



Pneumatic or manual kit for dispensing grease. Complete with the necessary accessories for easy use.



GPPN0010

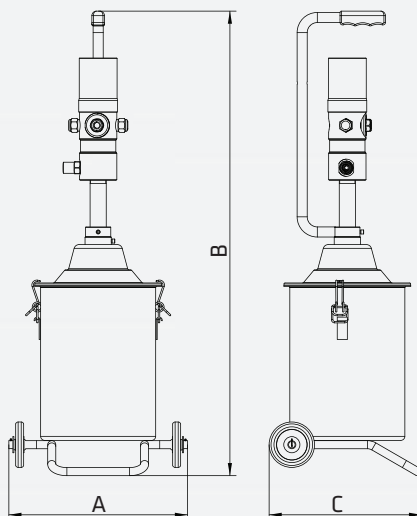


GPMA0370

TECHNICAL SPECIFICATIONS

name	DISPENSER	
code	GPPN0010	GPMA0370
flow rate	1050 gr/m	8 gr/colpo
pressure	60-480 bar	200 bar
hose	1/4" 4 mt	1/4" 1,8 mt
bucket	14 Kg	14 Kg

WEIGHTS AND MEASURES



GPPN0010	
A	354 mm
B	921 mm
C	302 mm

code	single package
GPPN0010	35 x 38 x 84 cm - 14,2 kg
GPMA0370	27 x 40 x 77 cm - 7,4 kg

SPECIALS

SINCE 1977 Made in Italy ISO 9001:2008



Pneumatic pump with reciprocating movement. A 1:1 ratio (e.g. 6 bar air inlet = 6 bar oil outlet) is recommended for windscreen washer fluid. The 3:1 ratio (e.g. 6 bar air inlet = 18 bar oil outlet) is recommended for setting up dispensing lines with the application of hose reels.

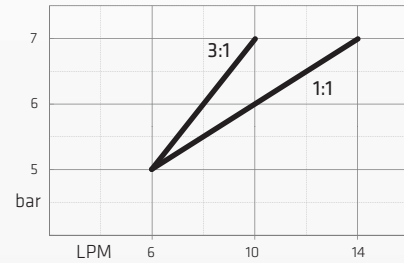


SPPN0345

SPPN0344

PERFORMANCE

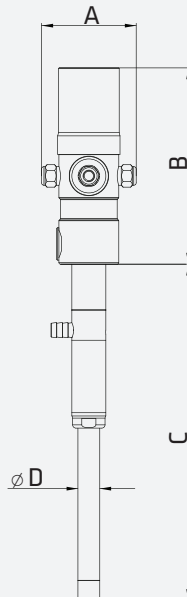
flow rate 14 lt/min	working press 5-7 bar
air consumption 300 lt/min	acoustic press 75 dB



TECHNICAL SPECIFICATIONS

name	PE 63 SPECIALS			
code	SPPN0344	SPPN0132	SPPN0345	SPPN0319
max flow rate	14 lpm	14 lpm	10 lpm	10 lpm
ratio	1:1	1:1	3:1	3:1
Ø suction tube	27 mm	27 mm	27 mm	27 mm
L suction tube	200 mm	940 mm	200 mm	940 mm
for drums	-	200 kg	-	200 kg
seals	viton	viton	viton	viton
air connection	1/4" F BSP	1/4" F BSP	1/4" F BSP	1/4" F BSP
IN	-	3/4" M BSP	-	3/4" M BSP
Ø OUT	14 mm	14 mm	14 mm	14 mm

WEIGHTS AND MEASURES



SPPN0344	SPPN0132	SPPN0345	SPPN0319
A 130 mm	A 130 mm	A 130 mm	A 130 mm
B 245 mm	B 245 mm	B 245 mm	B 245 mm
C 310 mm	C 940 mm	C 310 mm	C 940 mm
D 27 mm	D 27 mm	D 27 mm	D 27 mm

code	single package
SPPN0344	13 x 13 x 60 cm - 6,1 kg
SPPN0132	13 x 13 x 100 cm - 7,7 kg
SPPN0345	13 x 13 x 60 cm - 5,5 kg
SPPN0319	13 x 13 x 110 cm - 7 kg

SPECIALS

SINCE 1977

Made in Italy

ISO 9001:2008



Automatic hose reel for general liquids. Corrosion-resistant, weatherproof, robust, made entirely of stainless steel, with minimal pressure drop. Possibility of hose stopping unwinding at each turn.



UAVT0012



SAVT0400

PERFORMANCE

capacity 20 mt	winding AUTOMATIC spring loaded
-----------------------------	---

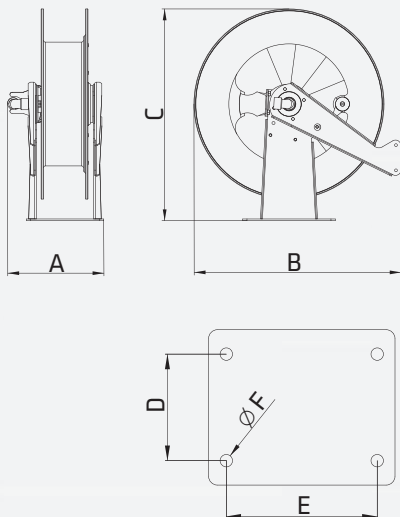
TECHNICAL SPECIFICATIONS

name	LARGE A	LARGE B	MEDIUM A
code	UAVT0012	SAVT0675	SAVT0400
hose included	-	1/2" 20 mt	-
max capacity	19x29 20 mt	3/4" 15 mt	3/8" 15 mt
seals	o-ring + pu		
passage	brass, stainless steel		
IN	1" F BSP	1/2" F BSP	3/8" F BSP
OUT	1" F BSP	1/2" F BSP	3/8" F BSP

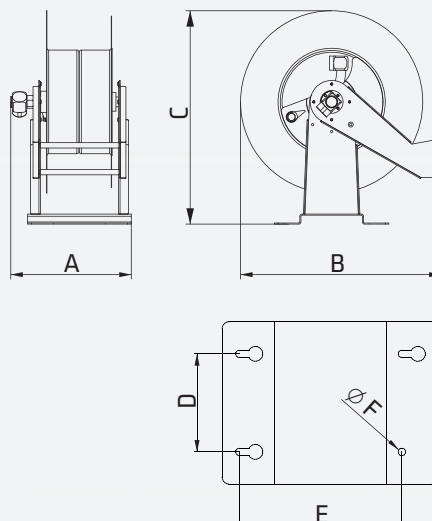
Also available with IN-OUT NPT threads

DIMENSIONS

SAVT0400



UAVT0012 / SAVT0675



	UAVT0012	SAVT0675	SAVT0400
A	337 mm	A 260 mm	A 218 mm
B	561 mm	B 550 mm	B 468 mm
C	597 mm	C 582 mm	C 479 mm
D	145 mm	D 145 mm	D 120 mm
E	240 mm	E 240 mm	E 170 mm
F	∅ 11 mm	F ∅ 11 mm	F ∅ 14 mm

code	single package
UAVT0012	61 x 39 x 65 cm - 27,5 kg
SAVT0675	61 x 35 x 61 cm - 33,5 kg
SAVT0400	46 x 55 x 24 cm - 19 kg



Made in Italy

TO.ME.S. S.r.l.
Via dell'Artigianato, 2
62014 PETRIOLO (MC) - ITALY
Tel. +39 0733 550173
www.tomes.it



PRODUZIONE DI POMPE, SISTEMI DI MISURA, ACCESSORI
AD-BLUE®, DIESEL, OLIO, GRASSO, ARIA/ACQUA & SPECIALI



MANUFACTURING OF PUMPS, MEASURING SYSTEMS, ACCESSORIES
AD-BLUE®, DIESEL, OIL, GREASE, AIR/WATER & SPECIALS

stampato il 25/09/23